

Ichip Mystère

LED FOLLOWSPOT

USER MANUAL

MODEL: ICM-150/120



PHOEBUS MANUFACTURING
1029 Washington St.
San Carlos, CA. 94070
U.S.A.
650-591-9905 TEL
650-591-1778 FAX
www.phoebus.com

**Ichip Mystère LED FOLLOWSPOT
USER MANUAL**

ICM-150/120

<u>CONTENTS</u>	<u>PAGE</u>
LIMITED WARRANTY	1
CONTROL DESCRIPTION (Features).....	2
CONTROL DESCRIPTION (Specifications).....	2
BASIC SETUP AND ASSEMBLY	2-3-4
OPTICAL SYSTEM OPERATION	
I. SET UP AND FOCUSING	4
II. BEAM CONTROL.....	4
TECHNICAL DATA	
I. LAMP	5
II. ELECTRICAL.....	5
MAINTENANCE	
I. LAMP INSTALLATION	5
II. LENS CLEANING	6
III. COLOR GEL REPLACEMENT	6
IV. HOUSING REMOVAL AND LUBRICATION	6
V. TROUBLESHOOTING.....	6
PARTS LAYOUT.....	7-8
PARTS DESCRIPTION	9
REPLACEMENT PARTS LIST	10
WARRANTY.....	11

LIMITED WARRANTY

Thank you for purchasing the Phoebus Manufacturing Ichip Mystère Model #ICM-150/120.

The Phoebus Manufacturing Ichip Mystère is guaranteed against defects in material and workmanship for a period of one year from date of purchase from Phoebus Manufacturing. In case of difficulty, contact Phoebus Manufacturing or your dealer for repair or return instructions. Iris and dowsers are guaranteed for six months under normal use.

LED Module is Included in this warranty. This warranty does not apply to mechanical defects caused by rough handling or to damage caused by improper operation not in accordance with this manual. Cause of defect is in the sole judgement of Phoebus Manufacturing.

This warranty is voidable at Phoebus Manufacturing's option under the following circumstances:

User makes unauthorized modifications (electrical or mechanical).
The unit is connected to improper voltage supply.
Any other condition occurs which causes catastrophic failure or impairs Phoebus Manufacturing's ability to render proper service.

If the unit is modified by the customer without permission, the customer agrees to pay for any time or parts necessary to remove the modifications before repair, if necessary.

Phoebus will not be responsible for consequential damages caused by failure, for whatever reason, of equipment of its manufacture. Sole liability is for repair or replacement (at Phoebus Manufacturing's option) of the defective equipment under the terms described above.

CONTROL DESCRIPTION

Features

- | | |
|---------------------------|---|
| 1. POWER SWITCH | Off- circuit one (cooling)- Circuit two (on). |
| 2. FUSE | 3AB 7AMP |
| 3. REAR LENS CONTROL | Used to focus image. Turn handle clockwise to lock and counterclockwise to unlock. Slide handle to focus. |
| 4. ADJUSTABLE TILT HANDLE | Friction lock for vertical tilt of unit. |
| 5. FRONT LENS CONTROL | Changes image size. Turn handle clockwise to lock and counterclockwise to unlock. Slide handle forward for smaller image, spot distribution, long throws. Slide handle back for larger image, flood distribution, short throws. |
| 6. DOWSER | Mechanical Dimmer. Opens when lever is moved towards operator. |
| 7. IRIS | Controls size of image. Opens widest when lever is moved towards operator. |
| 8. COLOR CONTROLS | Six controls. Gel is inserted in beam when lever is moved down. |
| 9. HEIGHT COLLAR | Slides up and down yoke to raise or lower unit. |

SPECIFICATIONS

- | | |
|-------------|--|
| 1. THROW | 15 to 150 feet |
| 2. LAMP | LED 36 Chip Micro Lens Array 5600K 90CRI |
| 3. SIZE | 28.5"L x 47"H x 10.5"W |
| 4. WEIGHT | 60 pounds including base |
| 5. TILT | 70° down, 60° up |
| 6. SWEEP | 360° |
| 7. POWER | 120 volt 50/60Hz under 5 amps |
| 8. CONTROLS | Iris, Dowser, Six Color Boomerang |
| 9. OPTICS | 4" rear, 6" front |

Basic Setup and Assembly

1. Unpack and check for shipping damage. Box contents contains the following:
 - a. (1) Ichip Mystère LED Followspot.
 - b. (1) Yoke Assembly.
 - c. (1) Yoke Insert Tube.
 - d. (3) Cast Aluminum base legs.
 - e. (1) Height collar,height collar washer and handle.
 - f. (1) Hardware kit w/ 6 5/16-18 x 1 1/2" hex head bolts, 6 hex nuts and 6 lock washers
 - g. (1) Accessory kit w/ 2 lens handles, 2 adjustable yoke handles, 2 control handles (note: Control handles are threaded into the dowser and iris assembly) with black knob, 2 medium Brake washers, 2 small brake washers.

ASSEMBLY INSTRUCTIONS

1. Find the cast aluminum base legs. One at a time, with the hollow side facing down, place three base legs around the bottom of the yoke tube. Note: either end of tube can be top or bottom. As you place the legs around the tube, simultaneously insert the hex head bolts into the pass through holes on each of the base leg. Slide on the lock washer and hand tighten the hex nuts. Using a 1/2" socket, nut driver or open end wrench. Proceed to alternately tighten each bolt. To prevent gaps between the legs do not tighten any one bolt completely, tighten bolts equally.
2. Next Insert 3 casters into the base legs. Occasionally the base leg through hole may accumulate excess powder coating, making it difficult to insert casters. Light filing with a rattail file can be used to clean excess coating. Slide the height collar ring onto the yoke tube, followed by the height collar washer. Then insert the yoke into the base insert tube. Screw in the height collar handle and raise or lower to desired height and lock handle into place.
3. Slide the small fiber friction washer followed by the sleeve bearing and then the large friction washers onto the threaded stud of the adjustable tilt handle. Thread handle into the bail until it is flushed to the yoke weld nut on the other side of the bail. Spread washers fully apart so that the yoke can be inserted between them.
4. Lift the Ichip Mystère using the front and rear black carry Handles located on both sides of the chassis. Position the bail handle shafts in the U-shaped slots at the top of the yoke. Ensure that the washers are positioned properly. Turn the tilt lock handles to tighten the grip on the yoke. Push the button on the tilt handle for suitable handle positioning.
5. The two zinc plated steel control shafts have been threaded on and secured at the factory, hand tighten the two black control knobs onto the shaft, The Iris and douser are ready for operation. The shafts have flat cut outs at one end of the shaft. Use an open end wrench to tighten the shafts securely. A nyloc nut and washer are supplied to fully secure shaft. Next, unscrew the two 1/4-20 phillips head shipping screws and washers, remove and save screws for future shipping use if needed. Slide the metal washer (first) and then the fibre lens washer onto the threaded stud of the lens handles. Insert and hand tighten to lock down (clockwise) and loosen to operate (counterclockwise).
6. Lastly, Screw the two black control knobs onto the iris and douser control shaft to complete the assembly process. The Ichip Mystère is now ready for operation.

SYSTEM OPERATION

I. SETUP AND FOCUSING

1. The Ichip Mystère is equipped with a three position switch. On, Cooling & Off. Be sure that the switch is in the off position (down) before connecting the AC line cord into a 110-120 VAC Grounded Receptacle. Flip the power switch to the middle fan, position for cooling purposes. Flip the switch to the on, up position. LED Array will strike immediately, and will come up to full output.
2. Lamps are not classified as hot-restrike and do not require cool down in order to re-strike. However, we recommend a 30 second cool down period at the end of usage.
3. Move iris and dowsers controls toward operator to open.
4. Move front lens forward for spot or rearward for flood distribution. Position can be chalk marked on side of chassis near handle set.
5. Move rear lens until edge of pattern is in focus. Position may be adjusted for hard or soft edge.
6. Close down the iris by moving its control handle away from the operator.
7. Focused may change slightly with iris closed. Best focus setting is with iris half open.
8. To “zoom” the lenses to a new position, a coordinated motion of both front and rear lenses is used. Note that these lens move opposite to each other to maintain focus

II. BEAM CONTROLS

1. The dowsers gradually dims the beam until completely blacked out. Move the control handle away to close and toward to open the dowsers. The dowsers Micro switch cuts down the power to the LED Array when fully closed.
2. The iris provides a 6 to 1 change in image diameter. It is controlled by the front handle, away to close and toward to open. The brightest spot is obtained with the iris open and the lenses adjusted for the largest spot desired. Smaller spots are then obtained using the iris.

TECHNICAL DATA

I. 36 Chip Micro Lens LED Array Module

The Ichip Mystère uses a 5600K, 90 CRI 36 chip Micro lens LED Array Module. The internally mounted ballast is used to operate the LED Module from standard 120 volts. The LED array module lifespan is on average of 6000 hours. However at normal use it is rated well beyond 6000 hrs. Once the LED module reaches the 6000 hour mark, one or two of the LED Micro chips may expire. However this will not noticeably effect the light output of the Ichip Mystère, which will continue to operate well past the 6000 hour mark. CRI (color rendering index) is a measure of how accurately a light source illuminates objects' true colors. Our LED modules have a CRI value of 90, indicating that the modules are able to produce white light that approximates halogen or incandescent lighting and natural daylight. The LED Module is cooled by two specially designed fans to insure cool and quiet operation. One fan is chassis mounted below the LED module while the second fan is mounted directly onto LED Module. The fans are essential to lamp operation. Improper cooling will cause decreased LED module life. Allow LED Module to cool before cutting power.

II. ELECTRICAL

The Ichip Mystère operates on 110 to 120V 50/60Hz A.C. and draws Less than 7 amps. (replace using 7A 3AB Bussman fuse) Located at the rear inside of the unit you will find the internally mounted Ballast used to supply the lamp with the proper voltage and current. **There are no user serviceable parts located on this ballast!!** Refer to the trouble shooting guide located on page 6 of this manual, or contact the local dealer/ representative in your area.

MAINTENANCE

I. LED Module Replacement Installation

1. Turn off and unplug unit.
2. Remove the eight carry handle mount screws and four housing mount screws located on both sides of housing.
3. Remove the two black control handle knobs from the control shafts.
4. Lift and remove housing from chassis.
5. Unscrew the four LED module cooling fan button head screws followed by the four LED module Button head mount screws. For easier access to the LED module mount screws, The LED module mount bracket may be removed by unscrewing the four phillips screws located on the underside of the chassis.
6. Replace the LED module and LED module cooling fan by reversing the above steps

II. LENS CLEANING

1. Slide front lens to its extreme forward position using the control handle.
2. Clean the front lens using glass cleaner and a soft, lint-free cloth. The rear surface may be reached by removing the housing.
3. Slide rear lens fully back and clean both surfaces.
4. Replace housing.

III. COLOR GEL REPLACEMENT

1. Unscrew four thumbscrews on either side of the color boomerang.
2. Lift boomerang off. Position it upside down, control levers facing you.
3. Raise the lefthand (operator right) gel holder and lower all the others.
4. Remove three clip fasteners around the gel holder rim.
5. Separate rings, remove old gel.
6. Use the ring as a pattern to cut new gel. Darker gels should be put in lefthand (operator right) gel holders.
7. Insert gel, cover with ring and secure with three clips.
8. Lower lefthand (operator right) gel holder and raise next one.
9. Repeat steps #4 to #8. To access the bottom gel clip, raise all the gels to the left or right and lower the one being worked on.
10. As you move toward the right-hand gels (operator right), insert progressively lighter colors. The lefthand (operator right) holders should be used for deep blue or purple gels.
11. Replace boomerang assembly and secure with four thumbscrews.

IV. LUBRICATION

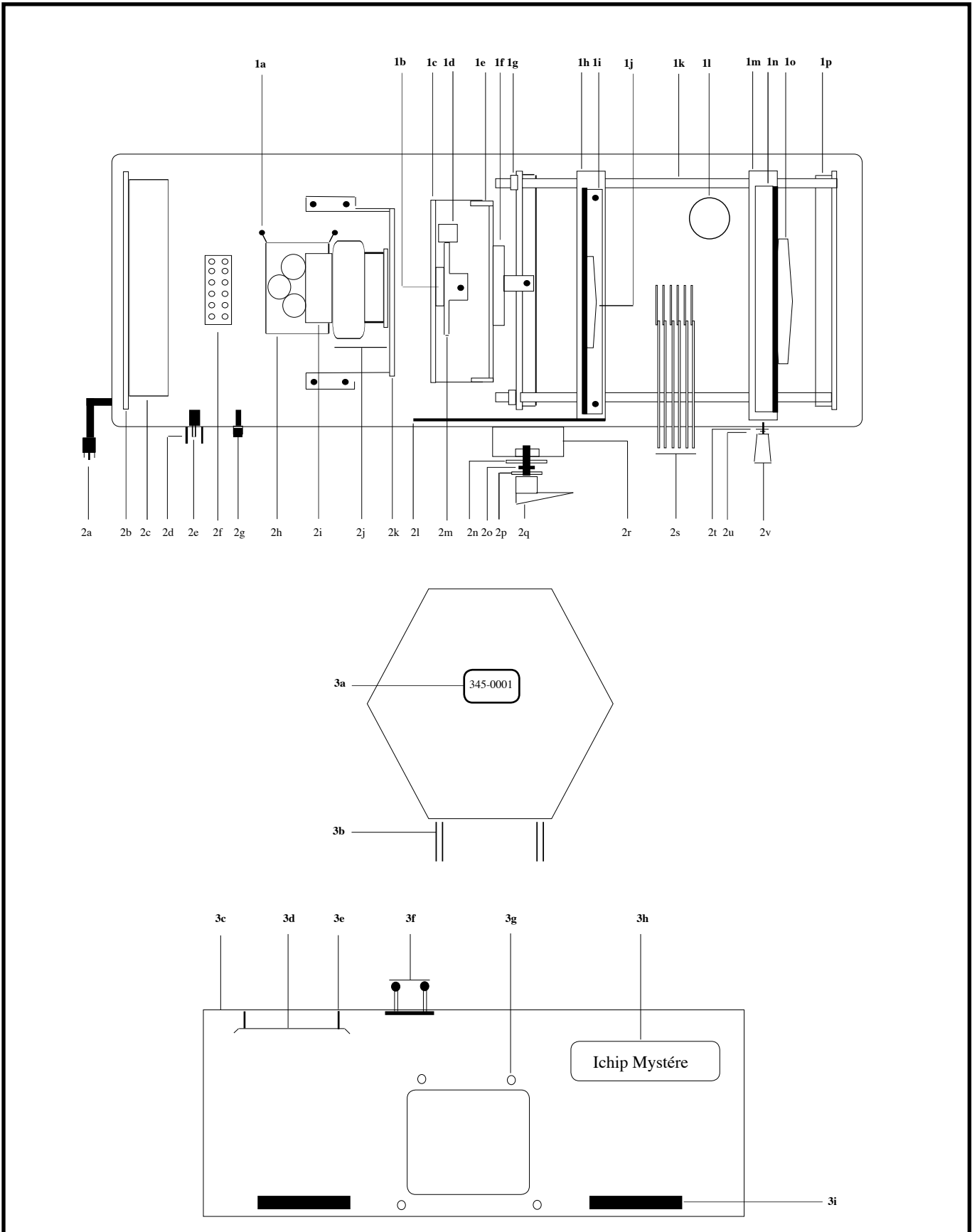
1. Remove housing carry handles and mount screws.
2. Tighten vertical tilt lock handles on either side of yoke. Unit will be unbalanced with the housing off
3. Unscrew the two black control knobs leaving the control shafts in place.
4. Grip both the front and rear end of the housing.
5. Lift straight up until front lens is cleared, and remove.
6. Wipe all bearing shafts with a cloth dampened with furniture wax.
7. Operate front and rear lenses forward and back to distribute wax.
8. Replace housing using the black carry handles. Guide front over lens and line up front housing and chassis.
9. Replace the two black control knobs.
10. Re-assemble the carry handles and chassis mount screws .

V. TROUBLESHOOTING-LAMP AND BALLAST

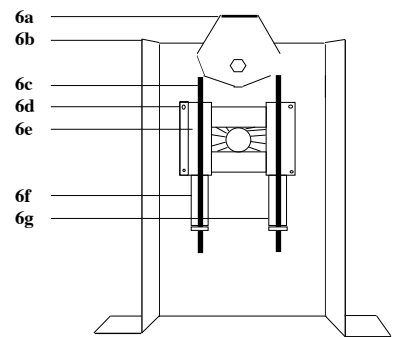
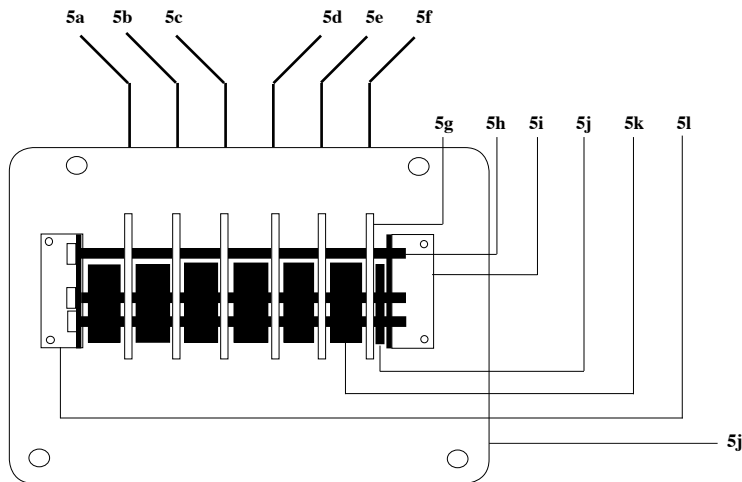
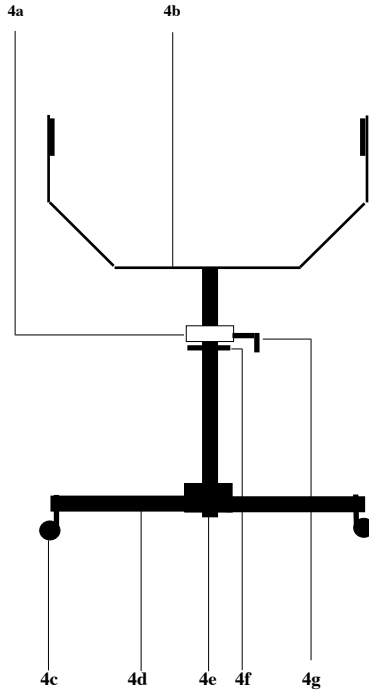
Lamp does not light:

1. If unit is off, check power and fuse. Replace fuse with 7 amp 3AB fuse.
2. If unit is on and the fan is running, check the following:
 - (a) Check that the LED module connections are in place and secured. Lamp may be defective or reached the end of its life.
 - (b) The power supply contains no user serviceable parts. Contact Phoebus Mfg.

PARTS LAYOUT (CHASSIS AND HOUSING)



PARTS LAYOUT (BASE, COLORBOOM & DOUSER ASSEMBLIES)



Retail Replacement Parts List

#	Description	Part Number	PER	Price	#	Description	Part Number	PER	Price
1a.	Lamp Fan Guard	ICM-SG31B	1	\$10.00	2a.	Line Cord	ICM-MR31	1	\$28.00
1b.	Swivel Bushing	ICM-771-56	1	\$17.50	2b.	Driver Mount Brkt.	ICM-002	1	\$48.00
1c.	Douser Bracket	ICM-007	1	\$75.00	2c.	LED Driver	ICM-HGL36B	1	\$115.00
1d.	Dimmer Switch	ICM-V71C1	1	\$25.00	2d.	Switch Guard	ICM-771-75	1	\$18.00
1e.	Iris Bracket	ICM-008	1	\$80.00	2e.	3 Position Switch	ICM-2GG51	1	\$28.00
1f.	Iris	ICM-101	1	\$165.00	2f.	Terminal Block	ICM-0625220	1	\$22.00
1g.	Shaft Collar	ICM-6S	2	\$7.00	2g.	Fuse Holder	ICM-3424X	1	\$22.00
1h.	Rear Lens Block	ICM-011R	1	\$100.00	2h.	Chassis Mount LED Fan	ICM-0A92A	1	\$50.00
1i.	Rear Lens Bracket	ICM-009	1	\$75.00	2i.	LED Mount Fan	ICM-UF80B	1	\$45.00
1j.	Rear Lens	ICM-105X140	1	\$85.00	2j.	LED Array Module	ICM-56K90C	1	\$600.00
1k.	Lens Rail Rod	ICM-SS38R	2	\$50.00	2k.	LED Module Bracket	ICM-001	1	\$98.00
1l.	Air Vent Screen	ICM-SC80B	1	\$10.00	2l.	Rear Lens Brake Arm	ICM-023	1	\$25.00
1m.	Front Lens Block	ICM-011F	1	\$100.00	2m.	Douser Swivel	ICM-019	1	\$60.00
1n.	Front Lens Bracket	ICM-010	1	\$75.00	2n.	Med. Brake Washer	ICM-771-84	2	\$7.00
1o.	Front Lens	ICM-6X16	1	\$85.00	2o.	Yoke Sleeve Bearing	ICM-6391K	2	\$4.75
1p.	Lens Rail Bracket	ICM-021	2	\$80.00	2p.	Sm. Brake Washer	ICM-771-83	2	\$4.75
					2q.	Yoke Tilt Handles	ICM-DB12	2	\$40.00
					2r.	Medium Duty Bail	ICM-011	1	\$115.00
					2s.	Color Boom Assembly	ICM-015A	1	\$425.00
					2t.	Fibre Lens Handle washer	ICM-771-83L	2	\$4.75
					2u.	Steel Lens Washer	ICM-1420	2	\$1.00
					2v.	Lens Control Handle	ICM-5K51	2	\$15.00
3a.	Serial Number Plate	ICM-ICMSP	1	\$12.00					
3b.	Chassis Guide Handle	ICM-014	2	\$100.00	4a.	Height Collar	ICM-0055	1	\$60.00
3c.	Housing	ICM-001	1	\$300.00	4b.	Medium Duty Yoke	ICM-0033	1	\$300.00
3d.	Light Baffle	ICM-018	1	\$36.00	4c.	Caster w/Brakes	ICM-0033	3	\$25.00
3e.	Light Baffle Spacer	ICM-163214	1	\$20.00	4d.	Cast Aluminum Base Leg	ICM-0054	3	\$225.00
3f.	D.C. Control Handle w/knob	ICM-163214	1	\$30.00	4e.	Yoke Insert Tube	ICM-0056	1	\$40.00
3g.	Color Boom Thumbscrew	ICM-B1032	4	\$3.00	4f.	Height Collar Washer	ICM-0D25	1	\$7.00
3h.	Housing Product Label	ICM-ICD3C	1	\$10.00	4f.	Height Collar Handle	ICM-82571	1	\$18.00
3i.	Housing Carry Handle	ICM-F14	4	\$60.00					
5a.	Gel Frame 15° Right	ICM-017-1R	1	\$22.00	6a.	Douser Swivel	ICM-019	1	\$48.00
5b.	Gel Frame 30° Right	ICM-017-2R	1	\$22.00	6b.	Douser Bracket	ICM-007	1	\$75.00
5c.	Gel Frame 45° Right	ICM-017-3R	1	\$22.00	6c.	Douser Connecting Rod	ICM-771-151	2	\$24.00
5d.	Gel Frame 45° Left	ICM-017-4L	1	\$22.00	6d.	Douser Spacer Bar	ICM-82571	2	\$12.00
5e.	Gel Frame 30° Left	ICM-017-5L	1	\$22.00	6e.	Douser Slide Retainer	ICM-82571	2	\$12.00
5f.	Gel Frame 15° Left	ICM-017-6L	1	\$22.00	6f.	Upper Douser Jaw	ICM-82571	1	\$32.00
5g.	Gel Frame Color Ring	ICM-UQ0001	6	\$60.00	6g.	Lower Douser Jaw	ICM-82571	1	\$32.00
5h.	Boom Retaining Bolt	ICM-1420HXB	3	\$5.00					
5i.	Left Boom Bracket	ICM-016L	1	\$45.00					
5j.	Boom Thrust Washer .187	ICM-030-1	2	\$10.00					
5k.	Boom Thrust Washer .375	ICM-030-3	5	\$45.00					
5l.	Boom Bracket Right	ICM-016R	1	\$45.00					
5m.	Color Boom Plate	ICM-015	1	\$60.00					

WARRANTY CARD

MODEL NUMBER _____

SERIAL NUMBER _____

DATE OF PURCHASE _____

PLACE OF PURCHASE (DEALER NAME) _____

USER'S NAME _____

COMPANY NAME _____

STREET ADDRESS _____

CITY _____ STATE _____ ZIP _____

TELEPHONE _____ FAX _____ EMAIL _____



Please fold along the dotted lines and staple
with return address on the outside as shown above.

Thank you!

Place
stamp
here

PHOEBUS MANUFACTURING
1029 Washington St.
San Carlos, CA. 94070

ATTENTION: WARRANTY DEPARTMENT